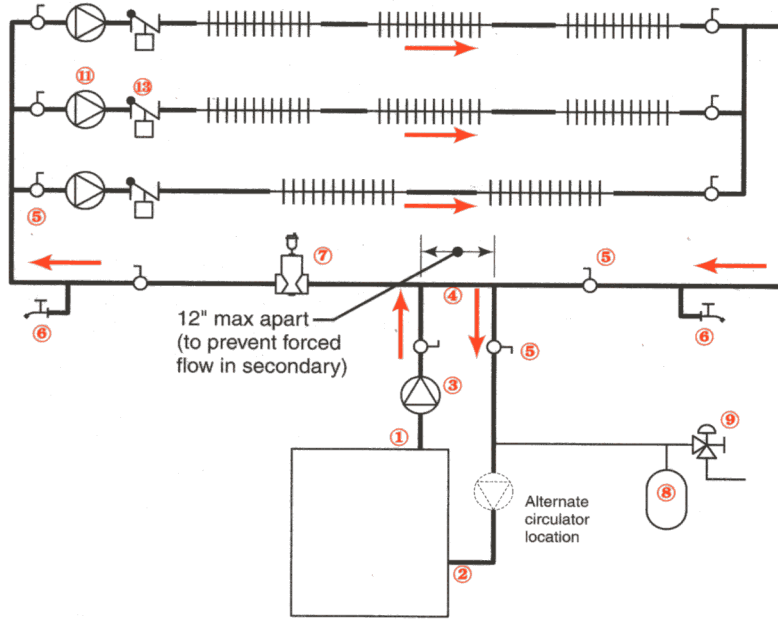


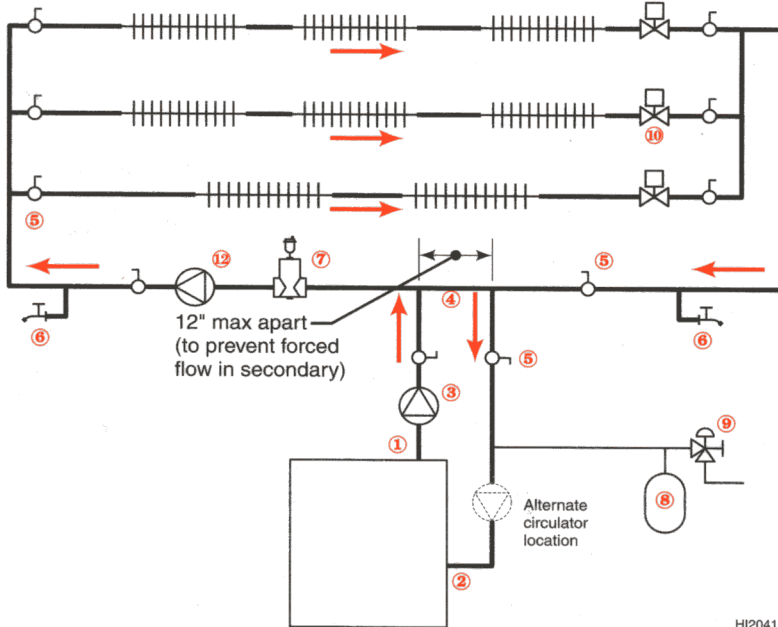
- System applications

Figure 10 Two-pipe zoning examples

Zoning with circulators (boiler on secondary loop)



Zoning with zone valves (boiler on secondary loop)



- | | |
|---|--|
| ① Boiler outlet (supply) | ⑧ Diaphragm expansion tank |
| ② Boiler inlet (return) | ⑨ Combination fill valve |
| ③ Boiler loop circulator | ⑩ Zone valves |
| ④ Secondary connection (boiler circuit) | ⑪ Zone circulators (circulator zoning) |
| ⑤ Isolation valves | ⑫ System circulator (zone valve system) |
| ⑥ Purge cocks (hose bibb) | ⑬ Flow/check valves (on both supply and return to prevent gravity flow as well as reverse flow in circuit) |
| ⑦ Air separator with automatic air vent | |